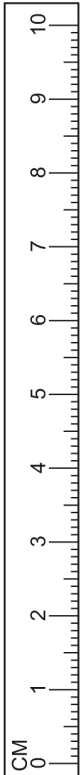
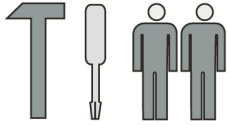
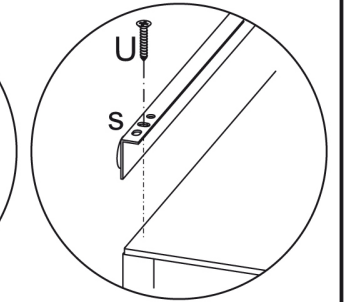
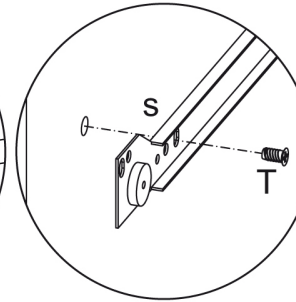
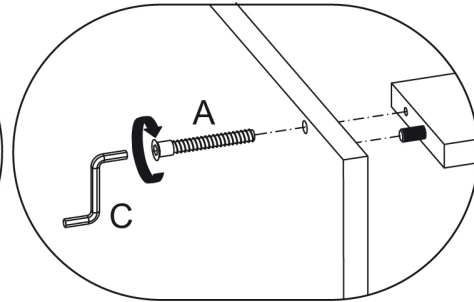
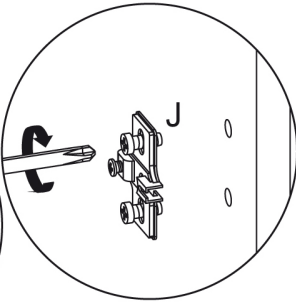
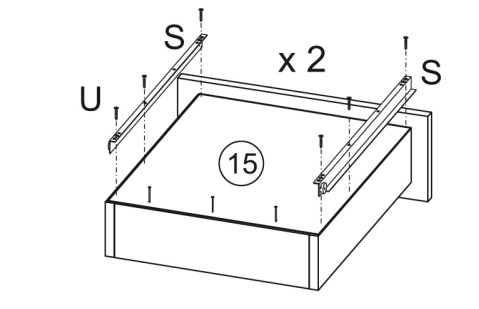
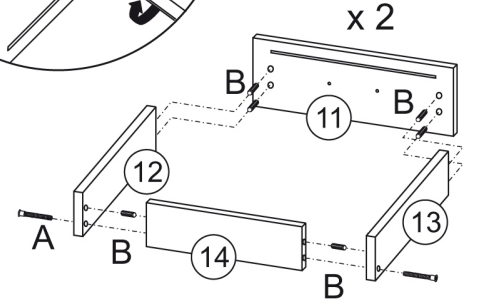
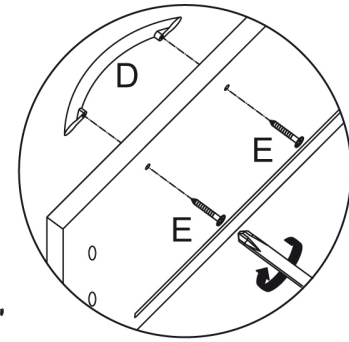
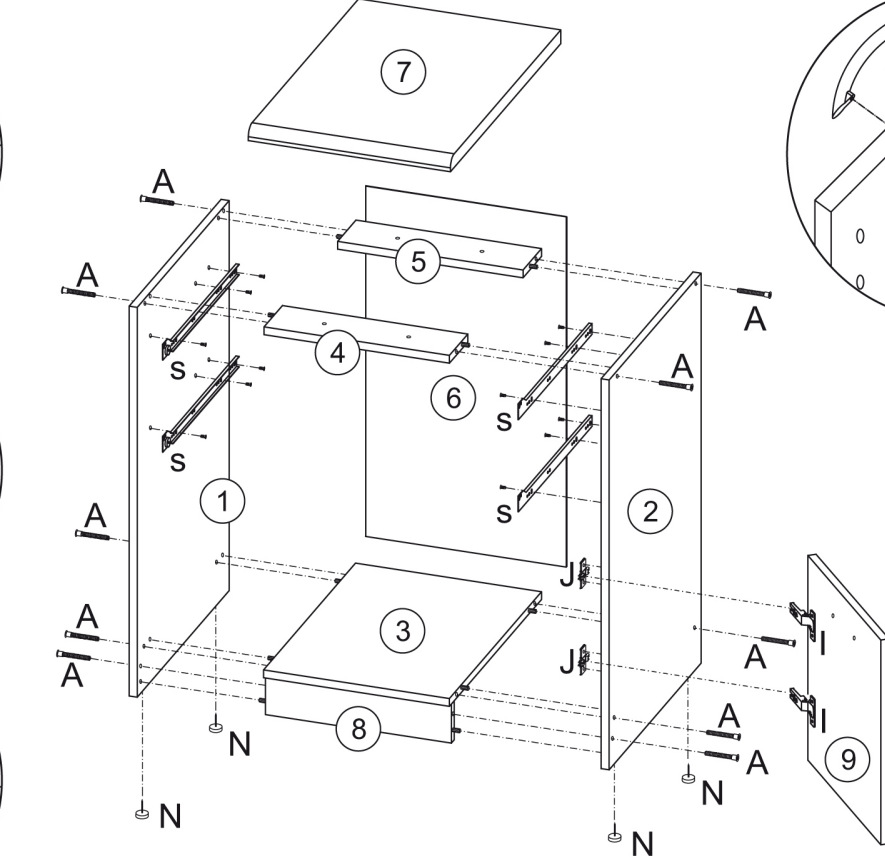
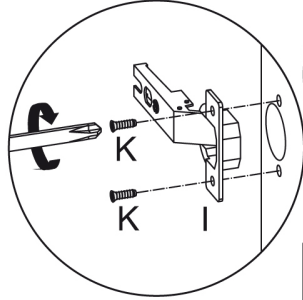
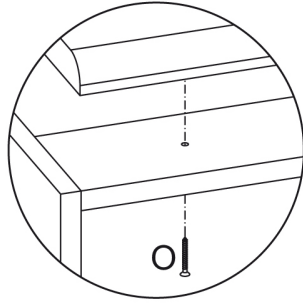
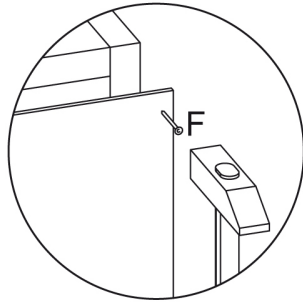
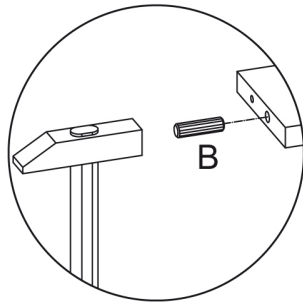


40 Down 2 Drawers



14	22	1	3	6	~25	2	2	4	4	4	2	12

12



No packer:

Dear Customer.

We regret to inform you, that in time complaint please give No packer and No missing and spoil element.